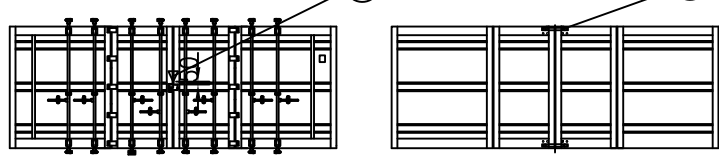
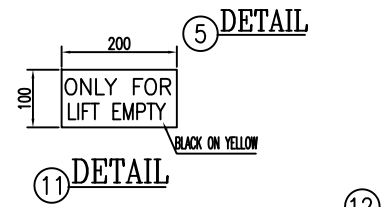
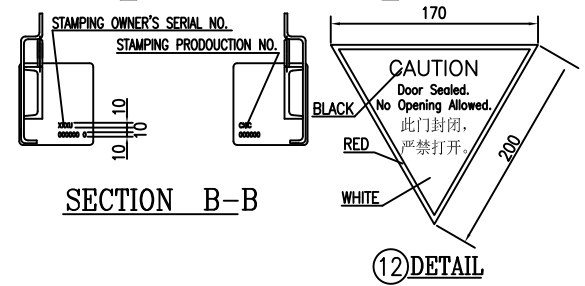
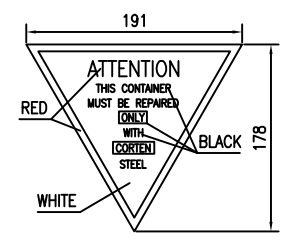
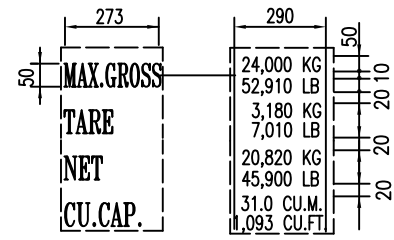
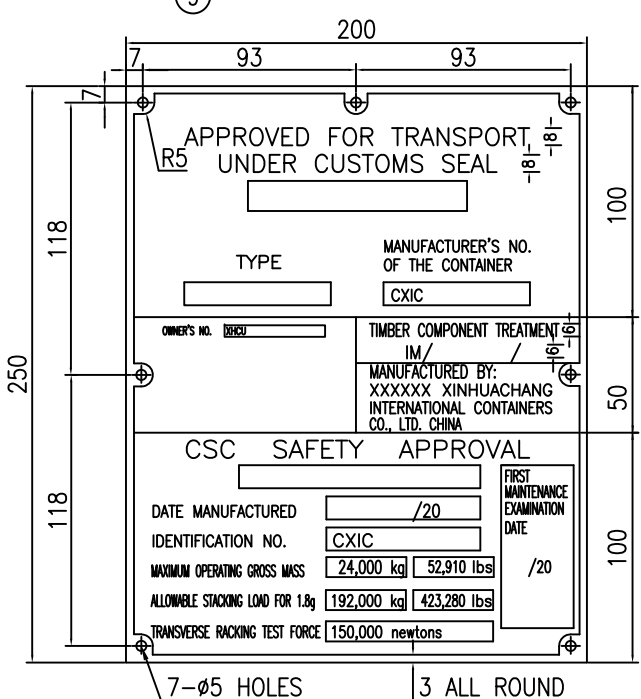
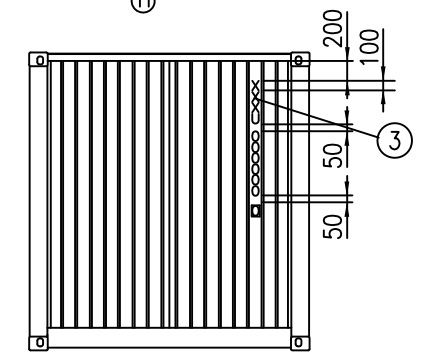
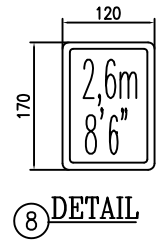
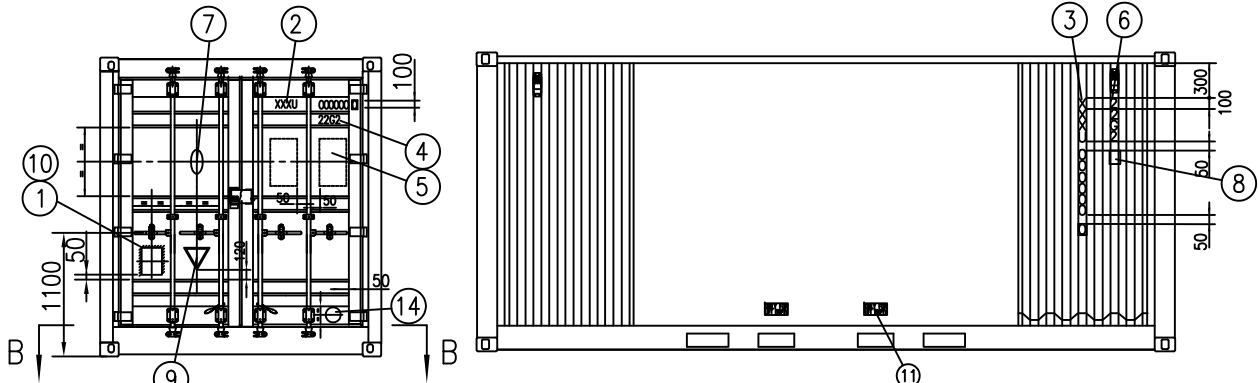
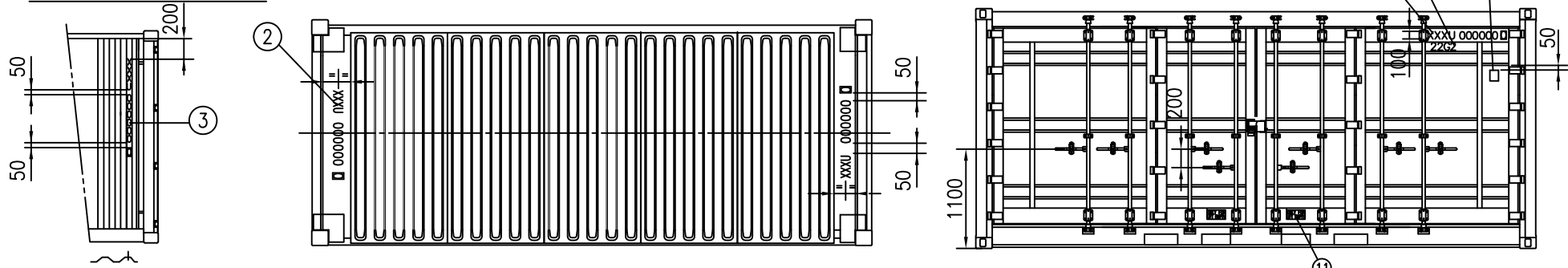


INSIDE OF CONTAINER



ITEM	DWG.NO.	DESCRIPTION	QTY	MATERIAL	REMARK
14		CXIC MARK	1	DECAL	#100
13	CX09-22000-715	FLAT PLATE	2	DECAL	SPA-H 13.0
12		ATTENTION MARK	1	DECAL	
11		EMPTY MARK	4	DECAL	BLACK ON YELLOW
10	CX14-20S0XHC-701	CONSOLIDATED DATA PLATE	1	SUS304	t0.8
9		REPAIR MARK	1	DECAL	
8		HEIGHT MARK	2	DECAL	BLACK ON YELLOW
7		CLASS EMBLEM	1	DECAL	
6		SIZE TYPE CODE	1	DECAL	WHITE(KISS CUT)
5		WEIGHT & CAPACITY MARK	1	DECAL	WHITE(KISS CUT)
4		SIZE TYPE CODE	2	DECAL	WHITE(KISS CUT)
3		OWNER'S CODE SERIAL NO.	3	DECAL	WHITE(KISS CUT)
2		OWNER'S CODE SERIAL NO.	4	DECAL	WHITE(KISS CUT)
1		BLIND RIVET	7	SUS304	ø4X8
					商標類型
					CX14-20S0XHC-700
DESIGNED					KUANG YK
CHECKED					DAVID XU
APPROVED					ZHANG JL
MARKING DRAWING					
					2014.6.19
					CXIC GROUP